



Luo Yang Cheng Bang bearing Co., Ltd

ADD : No 18,Gucheng Industrial Garden,Luolong science industrial garden, Luoyang , Henan Province, China

TEL : 0086379-65793232 FAX : 0086379-65793219

[Http://www.lycb.com](http://www.lycb.com)

E-mail : lycb@lycb.com

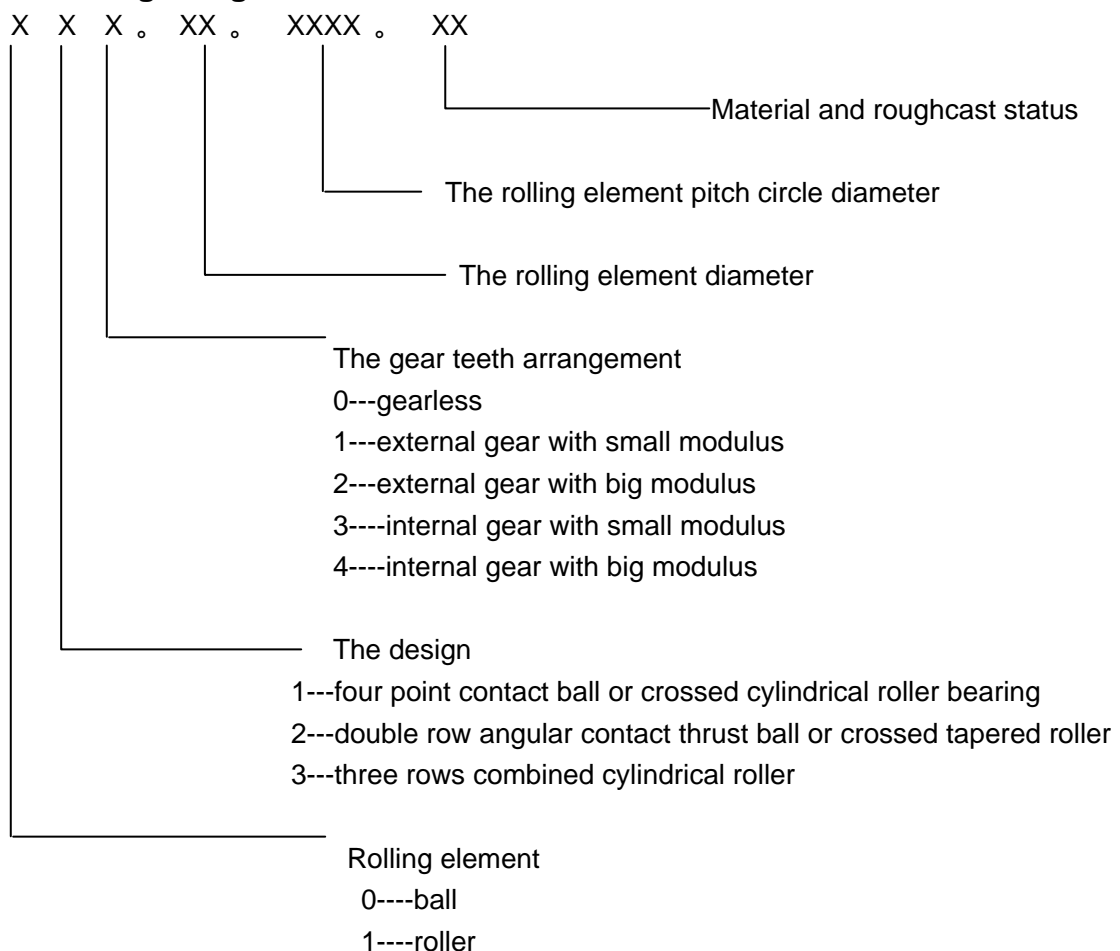
Cheng Bang Slewing bearings

Slewing bearings are widely used in radars, wind powers, solar energy, cranes, excavators, construction machinery, rolling mills, nonferrous mills, metallurgy & mining equipments, large size and extra size machinery, etc.

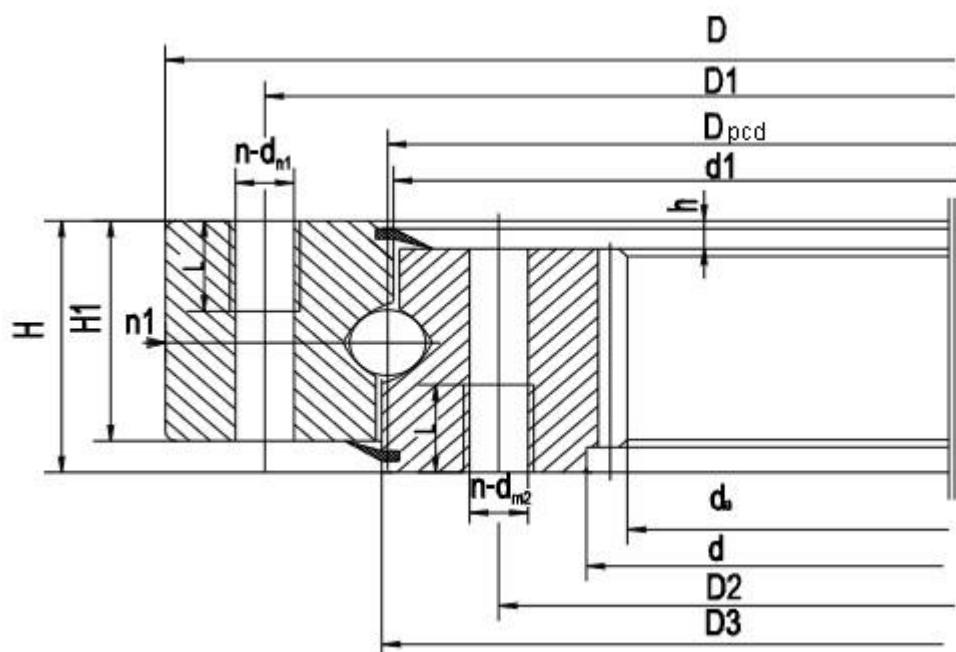
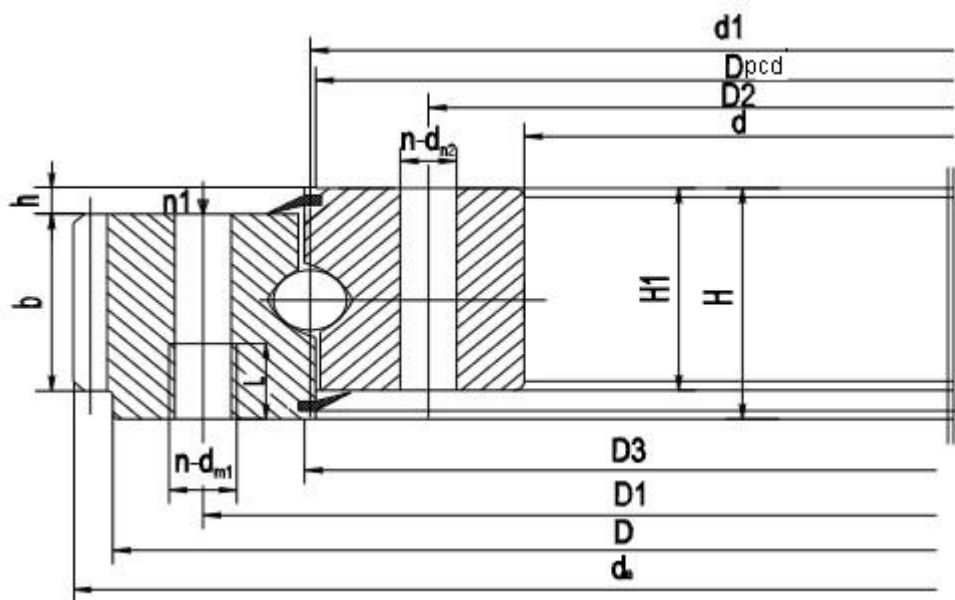
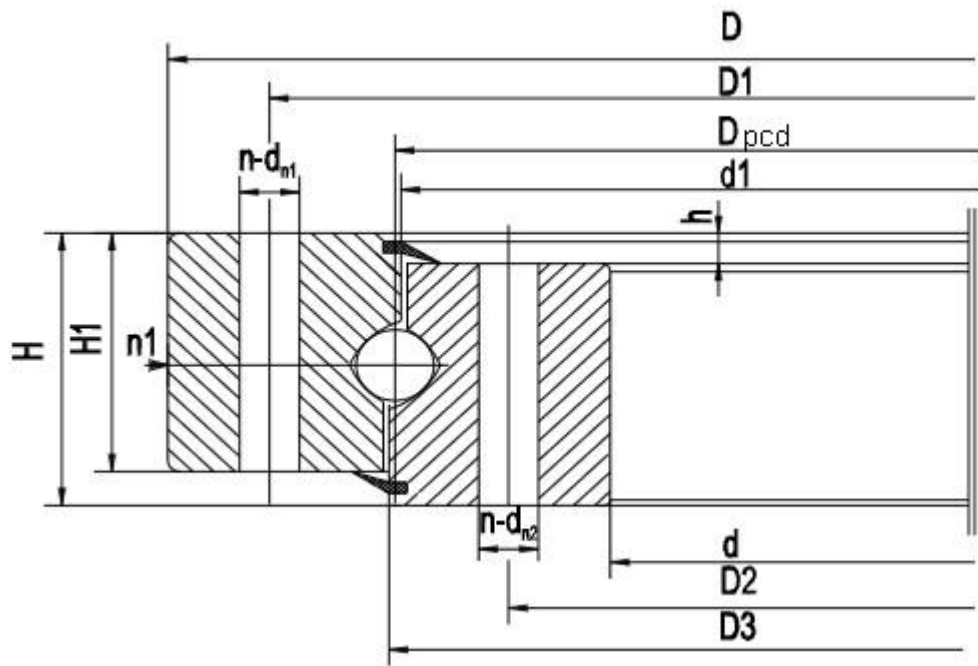
Chengbang bearing Co., Ltd manufactures slewing bearings with the size ranging from 150m to 5000mm. All the products meet the Chinese standard JB/T 2300, which also draws lessons from other foreign standard like Rothe Erde and Rollix,

Following forms are the common sizes for different type of slewing bearings.

Ordering designation



Four point contact ball bearings



Form 1 Four contact ball bearings

No	Bearing no			Size							Structure						Gear parameter		External gear		Internal gear			
	gearless	External gear	Internal gear	D	d	H	D ₁	D ₂	d _{n1} d _{m2}	d _{m1} d _{m2}	L _n	n ₁	D ₃	d ₁	H ₁	h	b	m	d _a	z	d _a	z		
				mm							mm								mm					
1	010.20.200	011.20.200	—	280	120	60	248	152	16	M14	12 28 18	2	201	199	50	40	4	3	300	98	—	—		
2	010.20.224	011.20.224	—	301	144		272	176					225	223					312	105	—	—		
3	010.20.225	011.20.280	—	330	170		298	202					251	249					352	86	—	—		
4	010.20.280	011.20.280	—	360	200		328	232					281	279					348	94	—	—		
5	010.25.315	011.25.315	013.25.315	408	222	70	372	258	18	M16	20 24	2	316	314	60	50	5	435	85	190	40			
6	010.25.355	011.25.355	013.25.355	448	262		412	298					356	354				475	93	235	49			
7	010.25.400	011.25.400	013.25.400	498	307		457	343					401	399				528	86	276	48			
8	010.25.450	011.25.450	013.25.450	543	357		507	393					451	449				576	94	324	56			
9	010.30.500	011.30.500	013.30.500	602	398	80	566	434	18	M16	32 20	4	501	498	70	60	6	5	629	123	367	74		
10		010.25.500	011.25.500											013.25.500				012.25.500	014.25.500	499	5	629	123	367
11	010.30.560		011.30.560	013.30.560	662		458	626					494	561				558	60	6	5	689	135	427
12		010.25.560	011.25.560	013.25.560														012.25.560			014.25.560	559	5	688.8
13	010.30.630		011.30.630	013.30.630	732	528	696	564	631	628	60	6	5	689	135	427	86							
14		010.25.630	011.25.630	013.25.630						012.25.630			014.25.630	629	6	688.8	112	428.4			72			
			012.25.630	014.25.630									772.8	126	494.4	83								
										774.4			94	491.2	62									
										772.8	126	494.4	83											
										774.4	94	491.2	62											

JB/T 300-19990

Form 1 (cont.)

No	Bearing no			size							structure						Gear parameter		External gear		Internal gear	
	gearless	External gear	Internal gear	D	d	H	D ₁	D ₂	d _{n1}	d _{m1}	L _n	n ₁	D ₃	d ₁	H ₁	h	b	m	d _a	z	d _a	z
				mm								mm						mm				
15	010.30.710	011.30.710	013.30.710	812	608	80	776	644	18	M16	32 24	4	711	708	70	60	6	850.8	139	572.4	96	
		012.30.710	014.30.710											8			854.4	104	571.2	72		
16	010.25.710	011.25.710	013.25.710	812	608	80	776	644	18	M16	32 24	4	711	709	70	60	6	850.8	139	572.4	96	
		012.25.710	014.25.710											8			854.4	104	571.2	72		
17	010.40.800	011.40.800	013.40.800	922	678	100	878	722	22	M20	40	6	801	798	90	80	8	966.4	118	635.2	80	
		012.40.800	014.40.800														10	968	94	634	64	
18	010.30.800	011.30.800	013.30.800	1022	778	100	978	822	22	M20	40	6	901	898	90	80	8	966.4	118	635.2	80	
		012.30.800	014.30.800														10	968	94	634	64	
19	010.40.900	011.40.900	013.40.900	1022	778	100	978	822	22	M20	40	6	901	898	90	80	8	1062.4	130	739.2	93	
		012.40.900	014.40.900														10	1068	104	734	74	
20	010.30.900	011.30.900	013.30.900	1022	778	100	978	822	22	M20	40	6	901	898	90	80	8	1062.4	130	739.2	93	
		012.30.900	014.30.900														10	1068	104	734	74	
21	010.40.1000	011.40.1000	013.40.1000	1122	878	100	1078	922	22	M20	40	6	1001	998	90	80	10	1068	104	734	74	
		012.40.1000	014.40.1000														12	1185.6	96	820.8	69	
22	010.30.1000	011.30.1000	013.30.1000	1122	878	100	1078	922	22	M20	40	6	1001	998	90	80	10	1188	116	824	83	
		012.30.1000	014.30.1000														12	1185.6	96	820.8	69	
23	010.40.1120	011.40.1120	013.40.1120	1242	998	100	1198	1042	22	M20	40	6	1121	1118	90	80	10	1298	127	944	95	
		012.40.1120	014.40.1120														12	1305.6	106	940.8	79	
24	010.30.1120	011.30.1120	013.30.1120	1242	998	100	1198	1042	22	M20	40	6	1121	1118	90	80	10	1298	127	944	95	
		012.30.1120	014.30.1120														12	1305.6	106	940.8	79	

JB/T 300-19990

Form 1 (cont)

No	Bearing no			size							structure						Gear parameter		External gear		Internal gear	
	gearless	External gear	Internal gear	D	d	H	D ₁	D ₂	d _{n1}	d _{m1}	L _n	n ₁	D ₃	d ₁	H ₁	h	b	m	d _e	z	d _i	z
				mm								mm										
25	010.45.1250	011.45.1250	013.45.1250	1390	1110	110	1337	1163	26	M24	40	5	1252	1248	10	10	90	12	1449.6	118	1048.8	88
		012.45.1250	014.45.1250															14	1453.2	101	1041.6	75
26	010.35.1250	011.35.1250	013.35.1250	1740	1460	110	1687	1513	26	M30	45	8	1251	1398	10	10	90	12	1449.6	118	1048.8	88
		012.35.1250	014.35.1250															14	1453.2	101	1041.6	75
27	010.45.1400	011.45.1400	013.45.1400	1540	1260	110	1487	1313	26	M24	48	5	1402	1398	10	10	90	12	1605.6	131	1192.8	100
		012.45.1400	014.45.1400															14	1607.2	112	1195.6	86
28	010.35.1400	011.35.1400	013.35.1400	1940	1660	110	1887	1713	26	M24	48	5	1401	1398	10	10	90	12	1605.6	131	1192.8	100
		012.35.1400	014.35.1400															14	1607.2	112	1195.6	86
29	010.45.1600	011.45.1600	013.45.1600	1740	1460	110	1687	1513	26	M24	45	8	1602	1598	10	10	90	14	1817.2	127	1391.6	100
		012.45.1600	014.45.1600															16	1820.8	111	1382.4	87
30	010.35.1600	011.35.1600	013.35.1600	1940	1660	110	1887	1713	26	M24	45	8	1601	1598	10	10	90	14	1820.8	111	1382.4	87
		012.35.1600	014.35.1600															16	2013.2	141	1573.6	113
31	010.45.1800	011.45.1800	013.45.1800	1940	1660	110	1887	1713	26	M24	45	8	1802	1798	10	10	90	16	2012.8	123	1574.4	99
		012.45.1800	014.45.1800															14	2013.2	141	1573.6	113
32	010.35.1800	011.35.1800	013.35.1800	2178	1825	144	2110	1891	33	M30	60	48	1801	1798	13	12	12	16	2012.8	123	1574.4	99
		012.35.1800	014.35.1800															18	2268.8	139	1734.4	109
33	010.60.2000	011.60.2000	013.60.2000	2178	1825	144	2110	1891	33	M30	60	48	2002	1998	13	12	12	18	2264.4	123	1735.2	97
		012.60.2000	014.60.2000															16	2268.8	139	1734.4	109
34	010.40.2000	011.40.2000	013.40.2000	2178	1825	144	2110	1891	33	M30	60	48	2001	1998	13	12	12	18	2268.8	139	1734.4	109
		012.40.2000	014.40.2000															18	2264.4	123	1735.2	97

JB/T 2300-1990

Form 1(cont)

No	Bearing no			size							structure						Gear parameter		External gear		Internal gear			
	gearless	External gear	Internal gear	D	d	H	D ₁	D ₂	d _{n1} d _{m2}	d _{m1} d _{m2}	L _n	n ₁	D ₃	d ₁	H ₁	h	b	m	d _a	z	d _a	z		
																							mm	
35	010.60.2240	011.60.2240	013.60.2240	2418	2065	144	2350	2131	33	M30	48	8	2242	2238	132	120	16	2492.8	153	1990.4	125	1990.4	125	
		012.60.2240	014.60.2240																					18
36	010.40.2240	011.40.2240	013.40.2240	2678	2325	144	2610	2391	33	M30	60	8	2241	2498	132	120	16	2492.8	153	1990.4	125	1990.4	125	
		012.40.2240	014.40.2240																					18
37	010.60.2500	011.60.2500	013.60.2500	2978	2625	174	2910	2691	45	M42	56	8	2502	2498	162	150	20	2776	136	2228	2228	112	2228	112
		012.60.2500	014.60.2500																					
38	010.40.2500	011.40.2500	013.40.2500	3376	2922	174	3686	3014	45	M42	84	8	2501	2798	162	150	18	2768.4	151	2339.2	2339.2	125	2339.2	125
		012.40.2500	014.40.2500																					
39	010.60.2800	011.60.2800	013.60.2800	3776	3322	174	3686	2910	45	M42	84	8	2802	2798	162	150	18	3074.4	168	2527.2	2527.2	141	2527.2	141
		012.60.2800	014.60.2800																					
40	010.40.2800	011.40.2800	013.40.2800	3776	3322	174	3686	2910	45	M42	84	8	2801	2798	162	150	18	3074.4	168	2527.2	2527.2	141	2527.2	141
		012.40.2800	014.40.2800																					
41	010.75.3150	011.75.3150	013.75.3150	3776	3322	174	3686	3014	45	M42	84	8	3152	3147	162	150	20	3476	171	2828	2828	142	2828	142
		012.75.2800	014.75.2800																					
42	010.50.3150	011.50.3150	013.50.3150	3776	3322	174	3686	3014	45	M42	84	8	3152	3148	162	150	20	3476	171	2828	2828	142	2828	142
		012.50.3150	014.50.3150																					
43	010.75.3550	011.75.3550	013.75.3550	3776	3322	174	3686	3414	45	M42	84	8	3552	3547	162	150	20	3876	191	3228	3228	162	3228	162
		012.75.3550	014.75.3550																					
44	010.50.3550	011.50.3550	013.50.3550	3776	3322	174	3686	3414	45	M42	84	8	3552	3548	162	150	20	3876	191	3228	3228	162	3228	162
		012.50.3550	014.50.3550																					

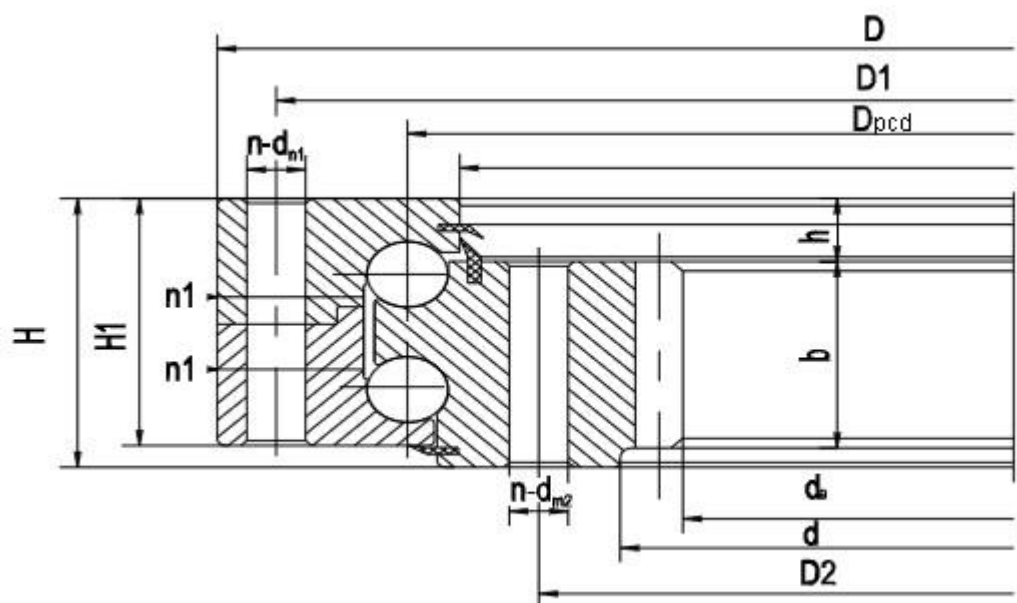
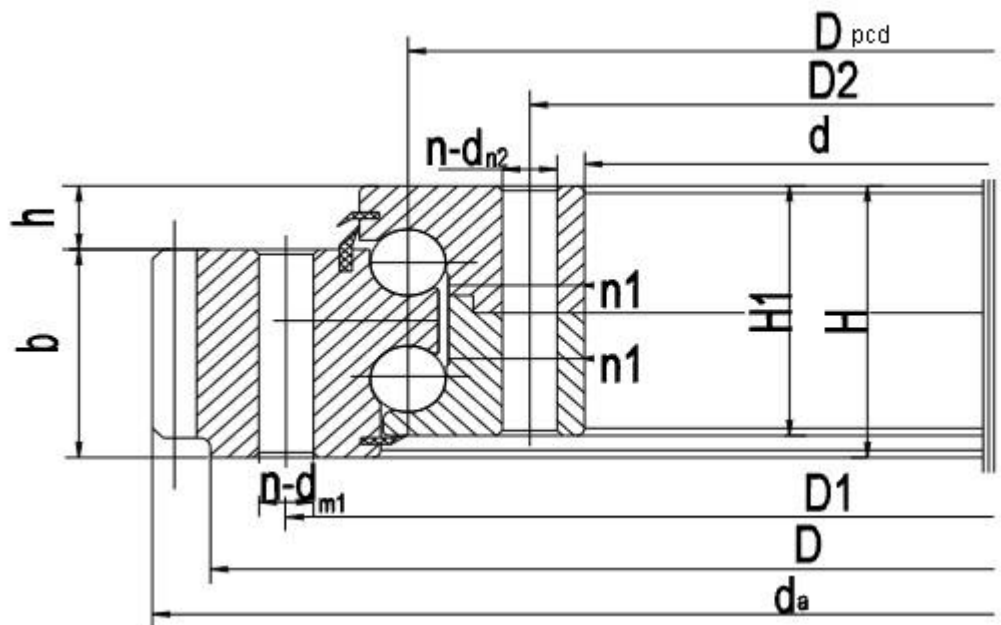
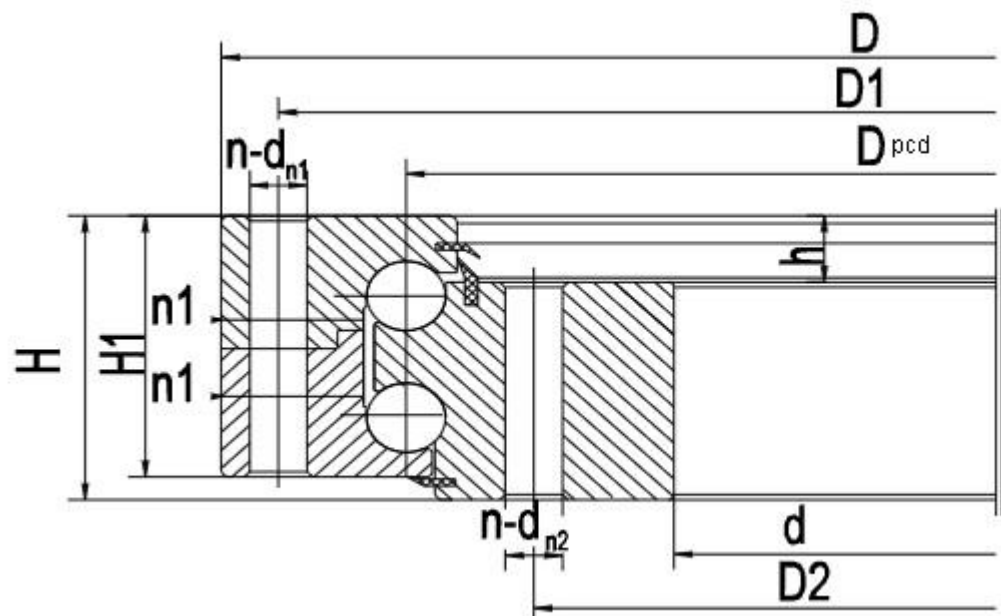
JB/T 2300-1990

Form 1(cont)

No	Bearing no			size							structure							Gear parameter		External gear		internal gear	
	gearless	External gear	Internal gear	D	d	H	D ₁	D ₂	d _{n1} d _{m2}	d _{m1} d _{m2}	L _n	n ₁	D ₃	d ₁	H ₁	h	b	m	d _a	z	d _a	z	
				mm								mm									mm		
45	010.75.4000	011.75.4000	013.75.4000	4226	3772	174	4136	3864	45	M42	84 60	10	4002	3997	162	12	150	22	4329.6	194	3660.8	167	
		012.75.4000	014.75.4000															25	4345	171	3660	147	
46	010.50.4000	011.50.4000	013.50.4000	4226	3772	174	4136	3864	45	M42	84 60	10	4002	3998	162	12	150	22	4329.6	194	3660.8	167	
		012.50.4000	014.50.4000															25	4345	171	3660	147	
47	010.75.4500	011.75.4500	013.75.4500	4726	4272	174	4636	4364	45	M42	84 60	10	4502	4497	162	12	150	22	4835.6	217	4166.8	190	
		012.75.4500	014.75.4500															25	4845	191	4160	167	
48	010.50.4500	011.50.4500	013.50.4500	4726	4272	174	4636	4364	45	M42	84 60	10	4502	4498	162	12	150	22	4835.6	217	4166.8	190	
		012.50.4500	014.50.4500															25	4845	191	4160	167	

JB/T 2300-1990

Double row ball bearings



Form 2 double row ball bearings

No	Bearing no			size							structure				Gear parameter		External gear		Internal gear								
	gearless	External gear	Internal gear	D	d	H	D ₁	D ₂	d _{n1}	d _{m1}	L _n	n ₁	H ₁	h	b	m	d _a	z	d _a	z							
				mm								mm							mm								
1	020.25.500	021.25.500	023.25.500	616	384	106	580	420	18	M16	32	4	96	26	60	5	644	126	357	72							
		022.25.500	024.25.500													6	646.8	105	350.4	59							
2	020.25.560	021.25.560	023.25.560	676	444		640	480								710	550	24	6	96	26	60	5	704	138	417	84
		022.25.560	024.25.560																				6	706.8	115	410.4	69
3	020.25.630	021.25.630	023.25.630	746	514		790	630								790	630	24	6	96	26	60	6	790.8	129	482.4	81
		022.25.630	024.25.630																				8	790.4	96	475.2	60
4	020.25.710	021.25.710	023.25.710	826	594		790	630								790	630	24	6	96	26	60	6	862.8	141	560.4	94
		022.25.710	024.25.710																				8	862.4	105	555.2	70
5	020.30.800	021.30.800	023.30.800	942	658		898	702								898	702	30	6	114	29	80	8	982.4	120	619.2	78
		022.30.800	024.30.800																				10	988	96	614	62
6	020.30.900	021.30.900	023.30.900	1042	758	998	802	998	802	30	6	114	29	80	8	1086.4	133	715.2	90								
		022.30.900	024.30.900												10	1088	106	714	72								
7	020.30.1000	021.30.1000	023.30.1000	1142	858	1098	902	1098	902	36	6	114	29	80	10	1198	117	814	82								
		022.30.1000	024.30.1000												12	1197.6	97	796.8	67								
8	020.30.1120	021.30.1120	023.30.1120	1262	978	1218	1022	1218	1022	36	6	114	29	80	10	1318	129	924	93								
		022.30.1120	024.30.1120												12	1317.6	107	916.8	77								
9	020.40.1250	021.40.1250	023.40.1250	1426	1074	1374	1126	1374	1126	40	5	150	39	90	12	1497.6	122	1012.8	85								
		022.40.1250	024.40.1250												14	1495.2	104	1013.6	73								
10	020.40.1400	021.40.1400	023.40.1400	1576	1224	1524	1272	1524	1272	40	5	150	39	90	12	1641.6	134	1156.8	97								
		022.40.1400	024.40.1400												14	1649.2	115	1153.6	83								

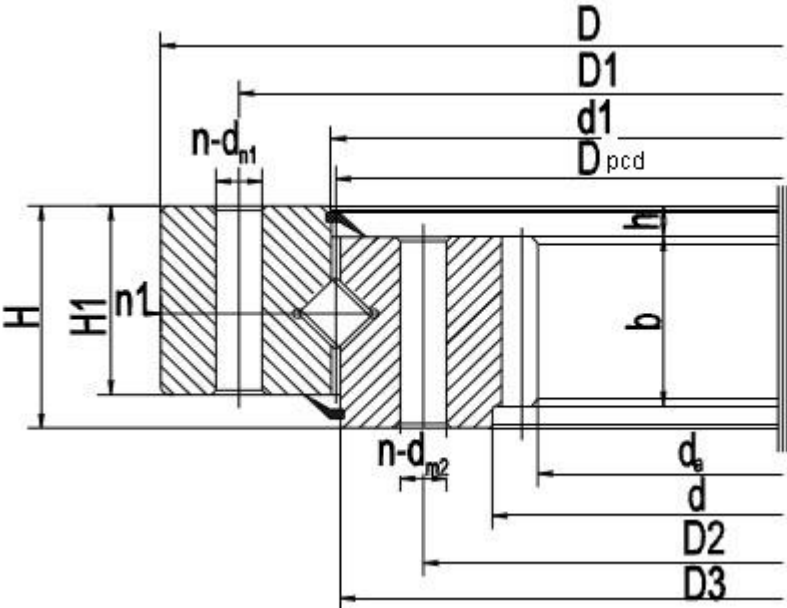
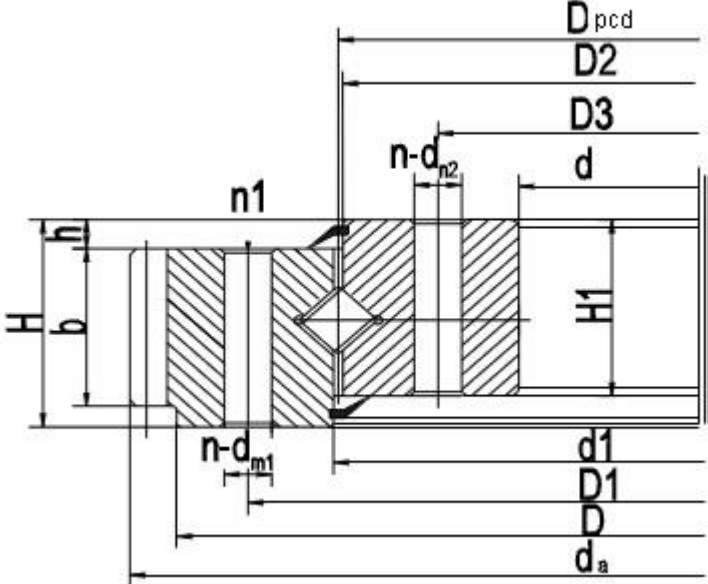
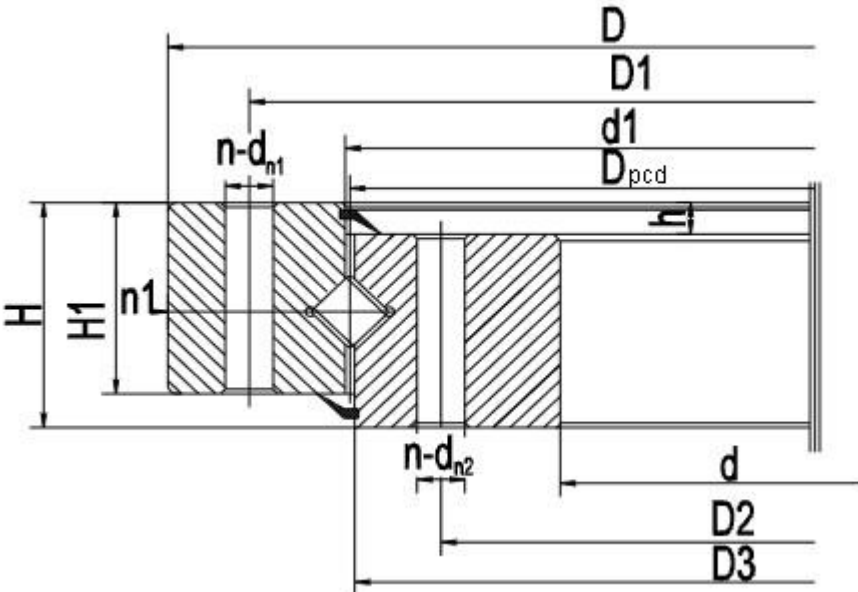
JB/T 2300-1990

Form 2(cont)

No	Bearing no			size							structure				Gear parameter		External gear		Internal gear	
	gearless	External gear	Internal gear	D	d	H	D ₁	D ₂	d _{n1}	d _{m1}	L _n	n ₁	H ₁	h	b	m	d _a	z	d _a	z
				mm								mm							mm	
11	020.40.1600	021.40.1600	023.40.1600	1776	1424	160	1724	1476	26	M24	48 45	5	150	39	90	14	1845.2	129	1349.6	97
		022.40.1600	024.40.1600				16	1852.8								113	1350.4	85		
12	020.40.1800	021.40.1800	023.40.1800	1976	1642	160	1924	1676	26	M24	48 45	5	150	39	90	14	2055.2	144	1545.6	111
		022.40.1800	024.40.1800				16	2060.8								126	1542.4	97		
13	020.50.2000	021.50.2000	023.50.2000	2215	1785	190	2149	1851	33	M30	60 48	8	178	47	120	18	2300.4	125	1699.2	95
		022.50.2000	024.50.2000				16	2300.8								141	1702.4	107		
14	020.50.2240	021.50.2240	023.50.2240	2455	2025	190	2389	2091	33	M30	60 48	8	178	47	120	16	2540.8	156	1942.4	122
		022.50.2240	024.50.2240				18	2552.4								139	1933.2	108		
15	020.50.2500	021.50.2500	023.50.2500	2715	2285	190	2649	2351	33	M30	60 48	8	178	47	120	20	2804.4	153	2203.2	123
		022.50.2500	024.50.2500				18	2816								138	2188	110		
16	020.50.2800	021.50.2800	023.50.2800	3015	2585	190	2649	2651	33	M30	60 48	8	178	47	120	18	3110.4	170	2491.2	139
		022.50.2800	024.50.2800				20	3116								153	2488	125		
17	020.60.3150	021.60.3150	023.60.3150	3428	2872	226	3338	2962	45	M42	84 56	10	214	56	150	20	3536	174	2768	139
		022.60.3150	024.60.3150				22	3537.6								158	2758.8	126		
18	020.60.3550	021.60.3550	023.60.3550	3828	3272	226	3738	3362	45	M42	84 56	10	214	56	150	20	3936	194	3168	159
		022.60.3550	024.60.3550				22	3933.6								176	3176.8	145		
19	020.60.4000	021.60.4000	023.60.4000	4278	3722	226	4188	3812	45	M42	84 56	10	214	56	150	22	4395.6	197	3618.8	165
		022.60.4000	024.60.4000				25	4395								173	3610	145		
20	020.60.4500	021.60.4500	023.60.4500	4778	4222	226	4688	4312	45	M42	84 56	10	214	56	150	22	4879.6	219	4122.8	188
		022.60.4500	024.60.4500				25	4895								193	4110	165		

JB/T 2300-1990

Crossed roller bearings



Form 3 crossed roller bearing

No	Bearing no			size							Structure						Gear parameter		External gear		Internal gear	
	gearless	External gear	Internal gear	D	d	H	D ₁	D ₂	d _{n1}	d _{m1}	L _n	n ₁	D ₃	d ₁	H ₁	h	b	m	d _a	z	d _a	z
				mm								mm								mm		
1	110.25.500	111.25.500	113.25.500	602	398	75	566	434	18	M16	20	4	498	502	65	60	5	629	123	367	74	
		112.25.500	114.25.500				626	494					558	562			6	628.8	102	368.4	62	
2	110.25.560	111.25.560	113.25.560	662	458	75	626	494	18	M16	32	4	628	632	65	60	5	689	135	427	86	
		112.25.560	114.25.560				696	564					6	688.8			112	428.4	72			
3	110.25.630	111.25.630	113.25.630	732	528	75	696	564	18	M16	32	4	628	632	65	60	6	772.8	126	494.4	83	
		112.25.630	114.25.630				776	644					8	774.4			94	491.2	62			
4	110.25.710	111.25.710	113.25.710	812	608	75	776	644	18	M16	24	4	708	712	65	60	6	850.8	139	572.4	96	
		112.25.710	114.25.710				854.4	104					571.2	72								
5	110.28.800	111.28.800	113.28.800	922	678	82	878	722	22	M20	30	6	798	802	72	65	8	966.4	118	635.2	80	
		112.28.800	114.28.800				10	968					94	634			64					
6	110.28.900	111.28.900	113.28.900	1022	878	82	978	822	22	M20	40	6	898	902	72	65	8	1062.4	130	739.2	93	
		112.28.900	114.28.900				10	1068					104	734			74					
7	110.28.1000	111.28.1000	113.28.1000	1122	878	82	1078	922	22	M20	40	6	998	1002	72	65	10	1188	116	824	83	
		112.28.1000	114.28.1000				12	1185.6					96	820.8			69					
8	110.25.1120	111.25.1120	113.25.1120	1242	998	82	1198	1042	22	M20	36	6	1118	1122	72	65	10	1298	127	944	95	
		112.25.1120	114.25.1120				12	1305.6					106	940.8			79					
9	110.32.1250	111.32.1250	113.32.1250	1390	1110	91	1337	1163	26	M24	48 40	5	1248	1252	81	75	12	1449.6	118	1048.8	88	
		112.32.1250	114.32.1250				14	1453.2					101	1041.6			75					
10	110.32.1400	111.32.1400	113.32.1400	1540	1260	91	1487	1313	26	M24	48 40	5	1398	1402	81	75	12	1605.6	131	1192.8	100	
		112.32.1400	114.32.1400				14	1607.2					112	1195.6			86					

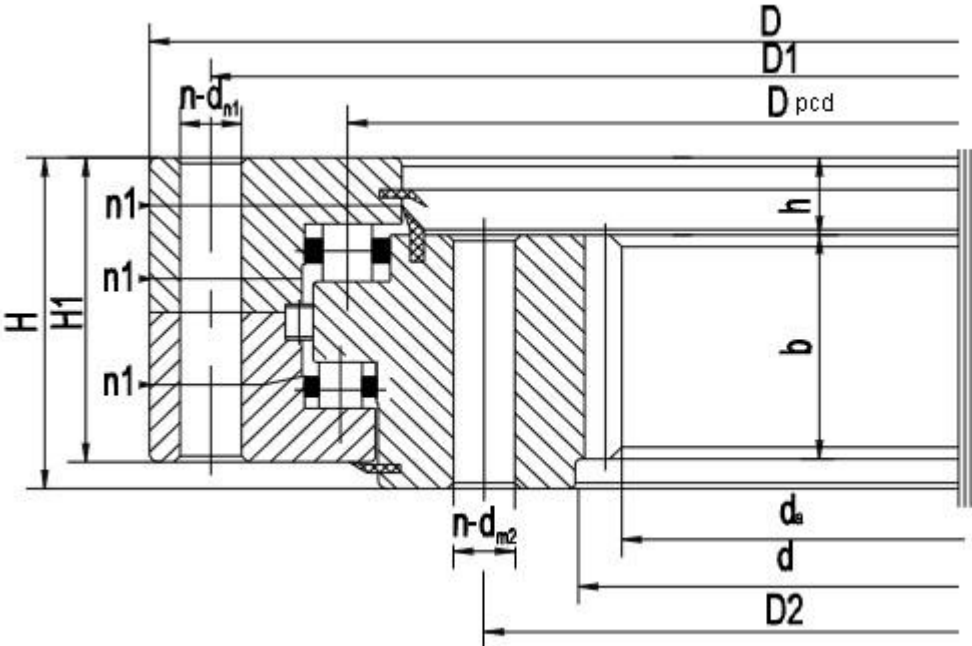
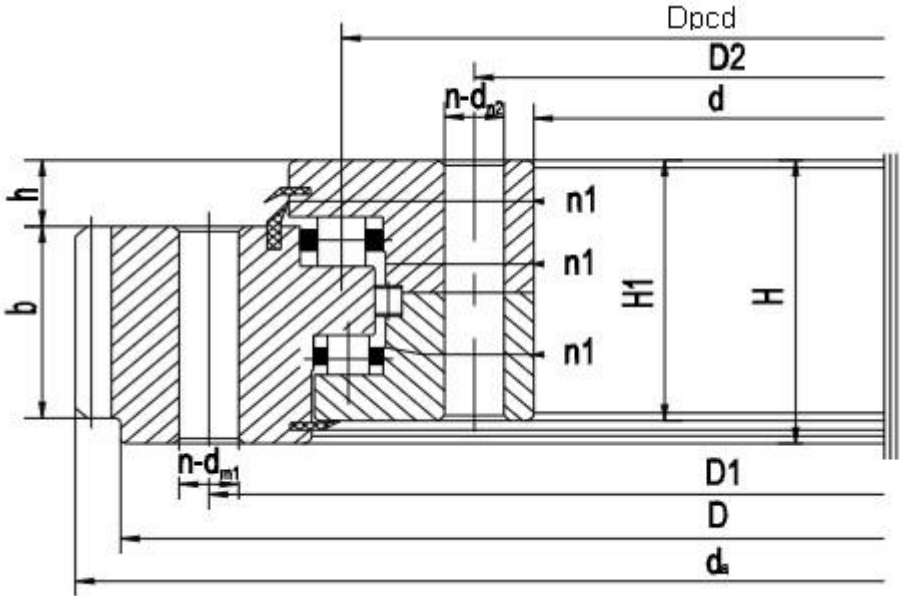
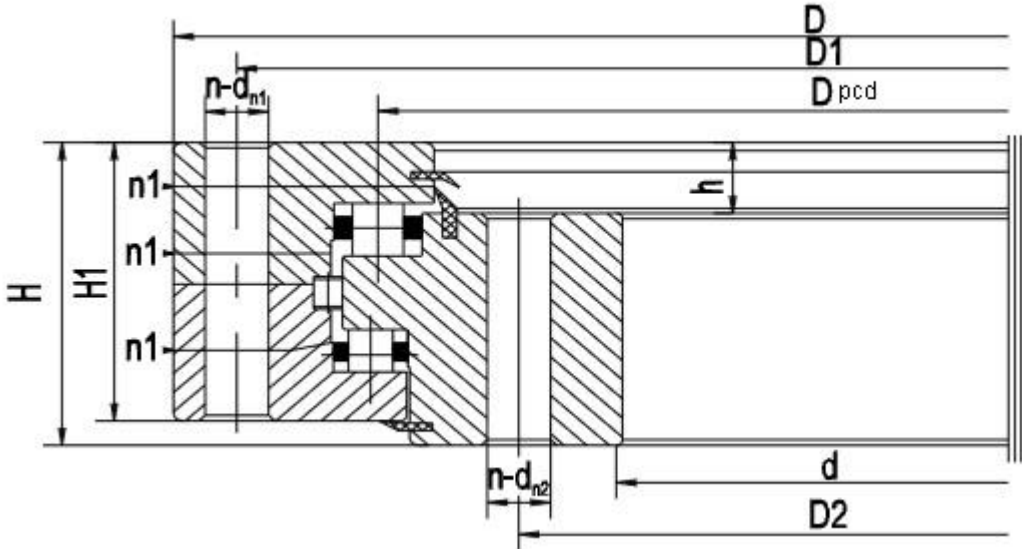
JB/T 300-1990

Form 3(cont)

No	Bearing no			size			Fixing holes				structure						Gear parameter		External gear		Internal gear		
	gearless	External gear	Internal gear	D	d	H	D ₁	D ₂	d _{n1} d _{m2}	d _{m1} d _{m2}	L _n	n ₁	D ₃	d _i	H ₁	h	b	m	d _a	z	d _a	z	
																							mm
11	110.32.1600	111.32.1600	113.32.1600	1740	1460	91	1687	1513	26	M24	48	45	5	1598	1602	81	10	75	14	1817.2	127	1391.6	100
		112.32.1600	114.32.1600				16	1820.8						111	1382.4				87				
12	110.32.1800	111.32.1800	113.32.1800	1940	1660	91	1887	1713	33	M30	48	5	8	1798	1802	100	10	90	14	2013.2	141	1573.6	113
		112.32.1800	114.32.1800				16	2012.8						123	1574.4				99				
13	110.40.2000	111.40.2000	113.40.2000	2178	1825	112	2110	1891	33	M30	48	8	8	1997	2003	100	10	90	18	2268.8	139	1734.4	109
		112.40.2000	114.40.2000				16	2268.8						139	1734.4				109				
14	110.40.2240	111.40.2240	111.40.2240	2418	2065	112	2350	2131	33	M30	60	8	8	2237	2243	100	10	90	16	2492.8	153	1990.4	125
		112.40.2240	112.40.2240				18	2498.4						136	1987.2				111				
15	110.40.2500	111.40.2500	113.40.2500	2678	2325	112	2610	2391	33	M30	60	8	8	2497	2503	100	10	90	20	2768.4	151	2239.2	125
		112.40.2500	114.40.2500				16	2768.4						151	2239.2				125				
16	110.40.2800	111.40.2800	113.40.2800	2978	2625	112	2910	2691	33	M30	56	8	8	2797	2803	100	10	90	18	3074.4	168	2527.2	141
		112.40.2800	114.40.2800				20	3076						151	2528				127				
17	110.50.3150	111.50.3150	113.50.3150	3376	2922	134	3286	3014	45	M42	84	10	10	3147	3153	122	10	110	20	3476	171	2828	142
		112.50.3150	114.50.3150				22	3471.6						155	2824.8				129				
18	110.50.3550	111.50.3550	113.50.3550	3776	3322	134	3686	3414	45	M42	84	10	10	3547	3553	122	10	110	20	3876	191	3228	162
		112.50.3550	114.50.3550				22	3889.6						174	3220.8				147				
19	110.50.4000	111.50.4000	113.50.4000	4226	3772	134	4136	3864	45	M42	84	10	10	3997	4003	122	10	110	22	4329.6	194	3660.8	167
		112.50.4000	114.50.4000				25	4345						171	3660				147				
20	110.50.4500	111.50.4500	113.50.4500	4726	4272	134	4636	4364	45	M42	60	10	10	4497	4503	122	10	110	22	4835.6	217	4166.8	190
		112.50.4500	114.50.4500				25	4845						191	4160				167				

JB/T 2300-1990

Three-row cylindrical roller bearings



Form 4 three-row cylindrical roller bearings

No	Bearing no			size			Fixing hole				structure				Gear parameter		External gear		Internal gear																													
	gearless	External gear	Internal gear	D	d	H	D ₁	D ₂	d _{n1}	d _{m1}	L _n	n ₁	H ₁	h	b	m	d _a	z	d _a	z																												
				mm										mm						mm																												
1	130.25.500	131.25.500	133.25.500	634	366	148	598	402	18	M16	32	4	138	32	80	5	664	130	337	68																												
		132.25.500	134.25.500				6	664.8								108	338.4	57																														
2	130.25.560	131.25.560	133.25.560	694	426		658	462								22	M20	40	5	172	40	120	5	724	142	397	80																					
		132.25.560	134.25.560				6	724.8															118	398.4	67																							
3	130.25.630	131.25.630	133.25.630	764	496		728	532															28	M16	32	4	138	32	80	6	808.8	132	458.4	77														
		132.25.630	134.25.630				8	806.4																						98	459.2	58																
4	130.25.710	131.25.710	133.25.710	844	576		808	612																						22	M20	40	5	172	40	120	6	886.8	145	536.4	90							
		132.25.710	134.25.710				8	886.4																													108	539.2	68									
5	130.32.800	131.32.800	133.32.800	964	636		920	680																													22	M20	40	5	172	40	120	8	1006.4	123	595.2	75
		132.32.800	134.32.800				10	1008																																				98	594	60		
6	130.32.900	131.32.900	133.32.900	1064	736	1020	780	22	M20	40	5	172	40	120	8																													1102.4	135	691.2	87	
		132.32.900	134.32.900			10	1108								108																													694	70			
7	130.32.1000	131.32.1000	133.32.1000	1164	836	1120	880								22	M20	40	5	172	40	120	10																						1218	119	784	79	
		132.32.1000	134.32.1000			12	1221.6															99																						784.8	66			
8	130.32.1120	131.32.1120	133.32.1120	1284	956	1240	1000															22	M20	40	5	172	40	120	10															1338	131	904	91	
		132.32.1120	134.32.1120			12	1341.6																						109															904.8	91			
9	130.40.1250	131.40.1250	133.40.1250	1445	1055	1393	1107																						26	M24	48 45	5	210	50	150	12								1509.6	123	988.8	83	
		132.40.1250	134.40.1250			14	1509.2																													105								985.6	71			
10	130.40.1400	131.40.1400	133.40.1400	1595	1205	1543	1257																													26	M24	48 45	5	210	50	150	12	1665.6	136	1144.8	96	
		132.40.1400	134.40.1400			14	1663.2																																				116	1139.6	82			

JB/T 2300-1990

Form 4(cont)

No	Bearing no			size			Fixing hole				structure				Gear parameter		External gear		Internal gear		
	gearless	External gear	Internal gear	D	d	H	D ₁	D ₂	d _{n1}	d _{m1}	L _n	n ₁	H ₁	h	b	m	d _a	z	d _a	z	
				mm															mm		mm
11	130.40.1600	131.40.1600	133.40.1600	1795	1405	26	1743	1457	26	M24	48	48	6	210	50	150	14	1873.2	131	1335.6	96
		132.40.1600	134.40.1600				16	1868.8									114	1334.4	84		
12	130.40.1800	131.40.1800	133.40.1800	1995	1605	26	1943	1657	26	M24	48	48	6	210	50	150	14	2069.2	145	1531.6	110
		132.40.1800	134.40.1800				16	2076.8									127	1526.4	96		
13	130.45.2000	131.45.2000	133.45.2000	2221	1779	231	2155	1845	33	M30	60	60	6	219	54	160	16	2300.8	141	1702.4	107
		132.45.2000	134.45.2000				18	2300.4									125	1699.2	95		
14	130.45.2240	131.45.2240	133.45.2240	2461	2019	231	2395	2085	33	M30	60	60	6	219	54	160	16	2556.8	157	1926.4	121
		132.45.2240	134.45.2240				18	2552.4									139	1933.2	108		
15	130.45.2500	131.45.2500	133.45.2500	2721	2279	231	2655	2345	33	M30	60	60	6	219	54	160	18	2822.4	154	2185.2	122
		132.45.2500	133.45.2500				20	2816									138	2188	110		
16	130.45.2800	131.45.2800	133.45.2800	3021	2579	231	2955	2645	33	M30	60	72	6	219	54	160	18	3110.4	170	2491.2	139
		132.45.2800	134.45.2800				20	3116									153	2488	125		
17	130.50.3150	131.50.3150	133.50.3150	3432	2868	270	3342	2958	45	M42	84	80	8	258	65	180	20	3536	174	2768	139
		132.50.3150	134.50.3150				22	3537.6									158	2758.8	126		
18	130.50.3550	131.50.3550	133.50.3550	3832	3268	270	3742	3358	45	M42	84	80	8	258	65	180	20	3936	194	3168	159
		132.50.3550	134.50.3550				22	3933.6									176	3154.8	144		
19	130.50.4000	131.50.4000	133.50.4000	4282	3718	270	4192	3808	45	M42	84	80	8	258	65	180	22	4395.6	197	3116.8	165
		132.50.4000	134.50.4000				25	4395									173	3610	145		
20	130.50.4500	131.50.4500	133.50.4500	4782	4218	270	4692	4308	45	M42	84	80	8	258	65	180	22	4901.6	220	4122.8	188
		132.50.4500	134.50.4500				25	4895									193	4110	165		

JB/T 2300-1990

This file does not cover all the products of our company, also bearings excluding slewing bearings do not display in this file. For further details, please inquire our sales department

Hotline 008637965793232 mobile phone 008615690668178

Website: <http://www.lycb.com>

Email: sales department lycb@lycb.com, technical support support@lycb.com

Address: No 18, Gucheng Industrial Garden, Luolong science industrial garden, Luoyang, Henan Province, China

Luoyang Cheng Bang Bearing Co., Ltd